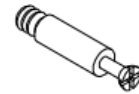
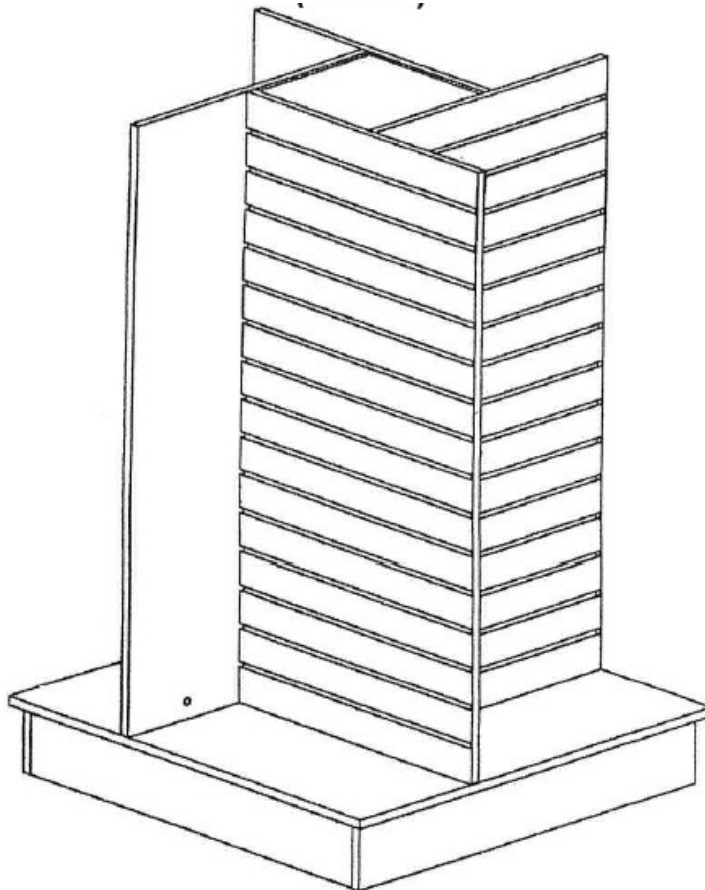




Slatwall Merchandiser: Pin Wheel



x28



x8



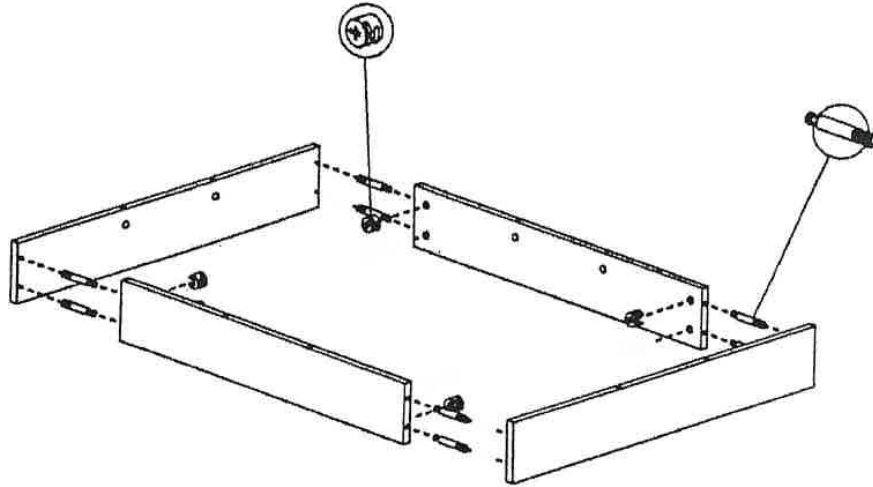
x28

Assembly Instructions

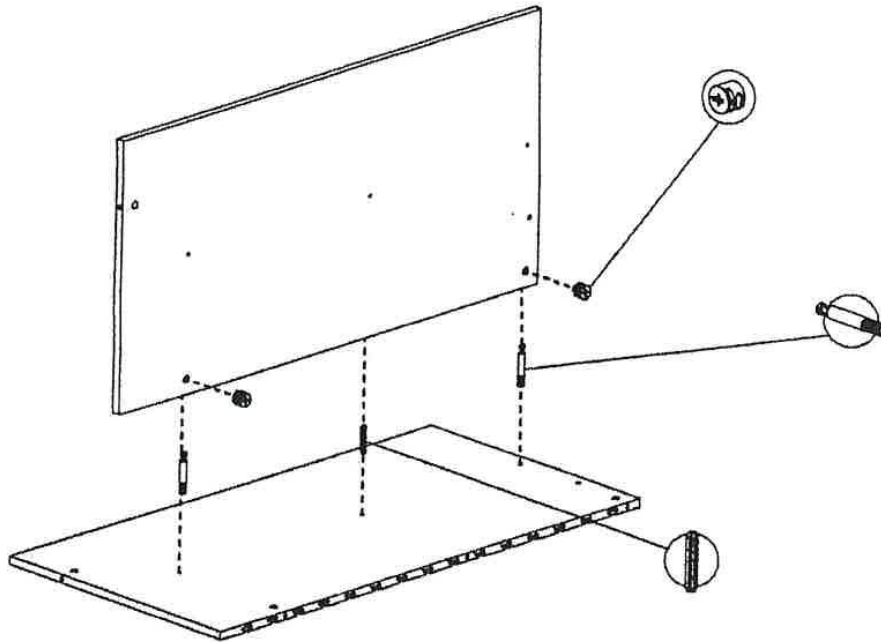
Box Contents



1.



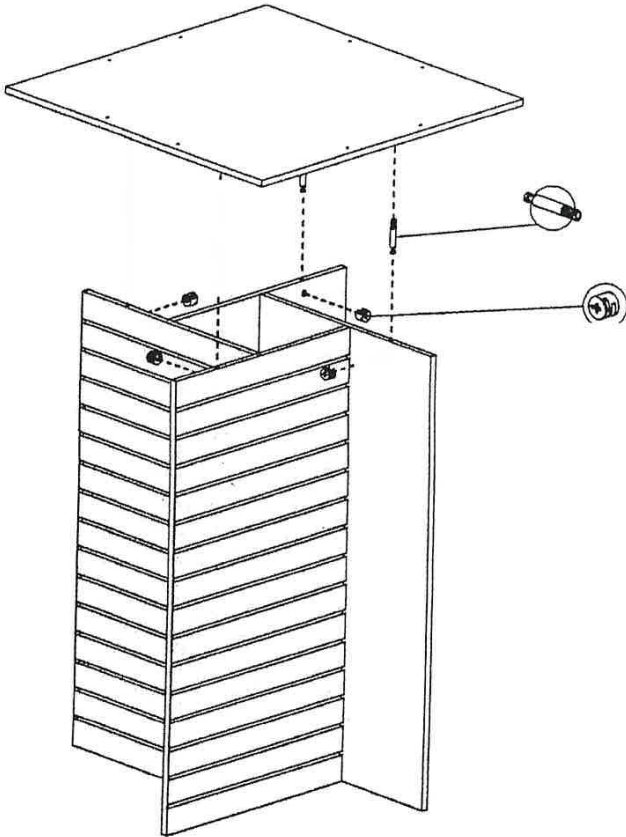
2.



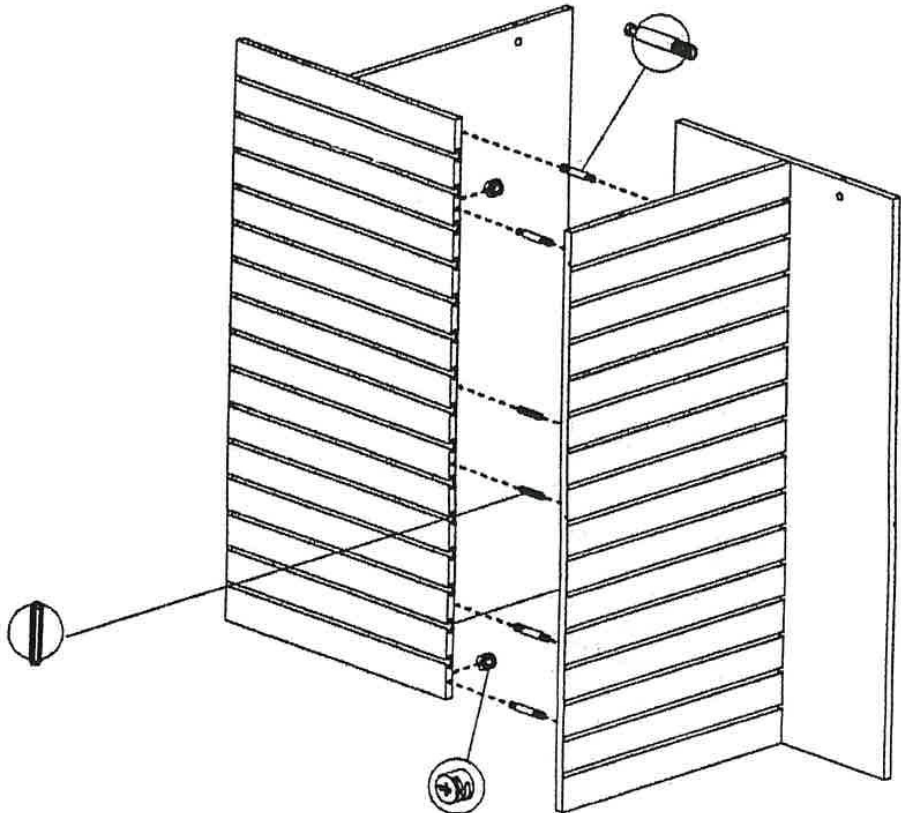
Assembly Instructions

Box Contents

3.



4.



Assembly Instructions

Box Contents



5.

